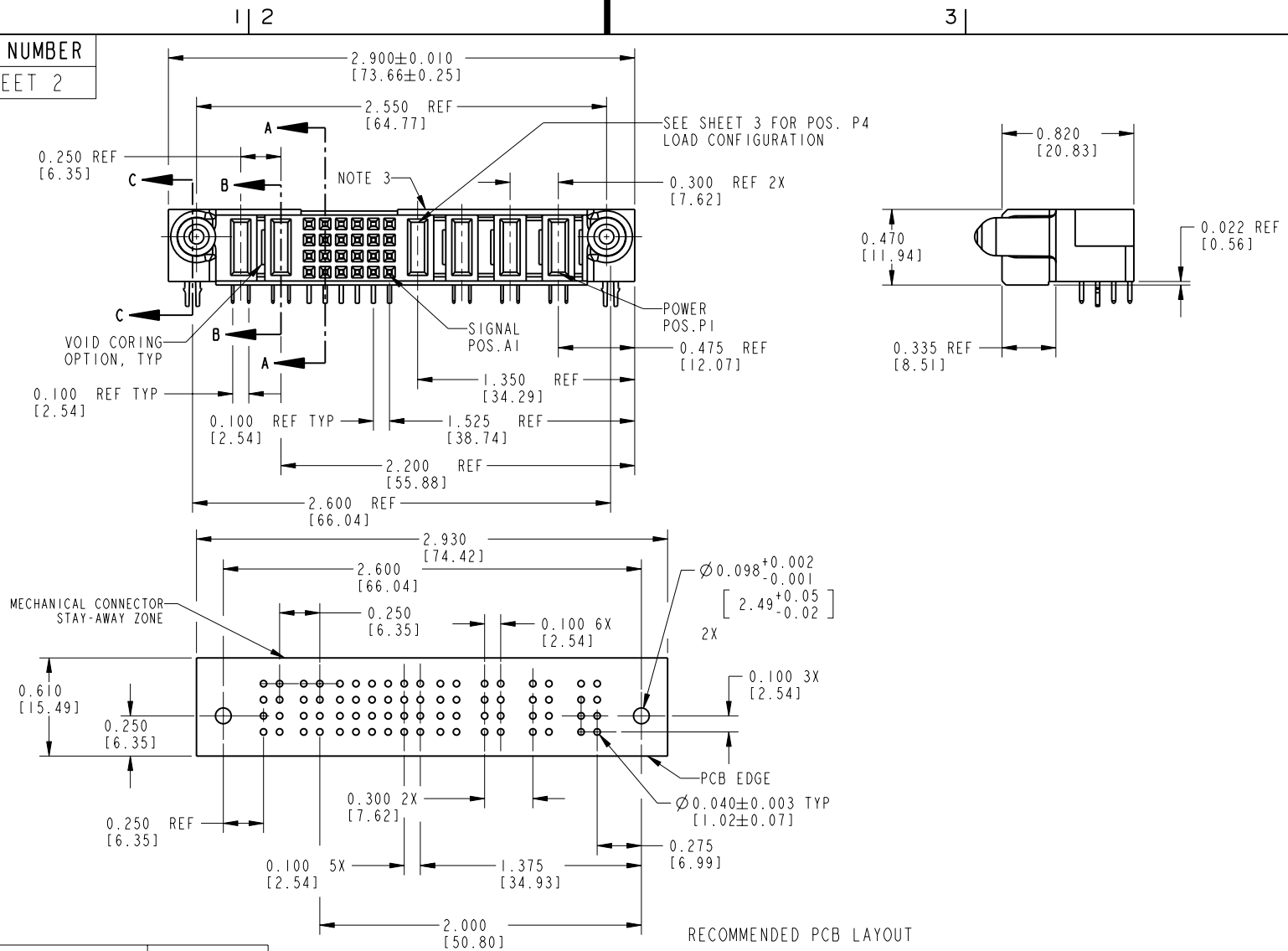


Tous droits strictement réservés. Reproduction ou communication o des liens interdite sous quelque forme que ce soit sans autorisation écrite du propriétaire. Propriété de c FCI. Droits de reproduction FCI.

**FCI**

All rights strictly reserved. Reproduction or issue to third parties in any form, whenever is not permitted without written authority from the proprietor. Property of FCI. Copyright FCI.

PRODUCT NUMBER  
SEE SHEET 2



CODE	DIM "M" ±0.010 [0.25]		CONTACT TYPE
E	N/A	[N/A]	SIGNAL
F	N/A	[N/A]	SIGNAL
G	N/A	[N/A]	SIGNAL
H	N/A	[N/A]	SIGNAL
PC	0.092	[2.34]	POWER
PA	0.042	[1.07]	POWER
HA	N/A	[N/A]	HOLD-DOWN
X	OMITTED		OMITTED

mat'l code				NOTE 1		tolerances unless otherwise specified		CUSTOMER	
lfr	ecn no.	dr	date	linear		.XX±.01/0.X±0.3	COPY		
A	V02393	JRW	10-27-00			.XXX±.005/0.XX±0.13	projection		
B	V02944	JWS	12-21-00	angles		.XXXX±.0005/0.XXX±.051	INCH/MM		
C	V11096	JRW	03/20/01			0°±2°	scale		
D	V12138	JRW	08/03/01	dr	E. KORFF	06-15-00	product family		
E	DG05-0530	GuoJM	12/08/05	engr	J. BROWN	06-15-00	PwrBlade		
				chr	J. BROWN	06-15-00	code		
				appd	J. BROWN	06-15-00	size		
sheet index	revision sheet	E	E	E			size		
1	2	3					dwg no		
							A		
							51787		
							code		
							213		
							sheet		
							1 of 3		

Pro/E

cage code 22526

PDM: Rev:E

STATUS: Released

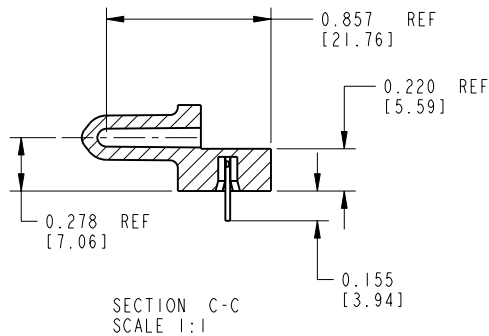
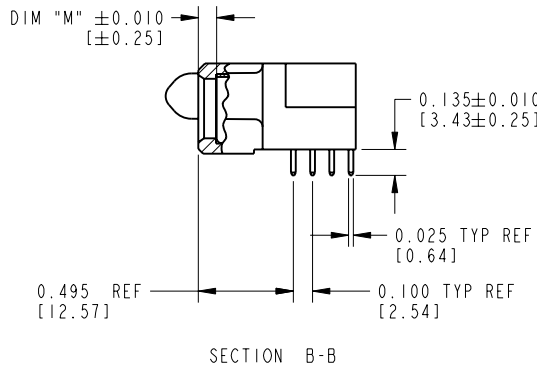
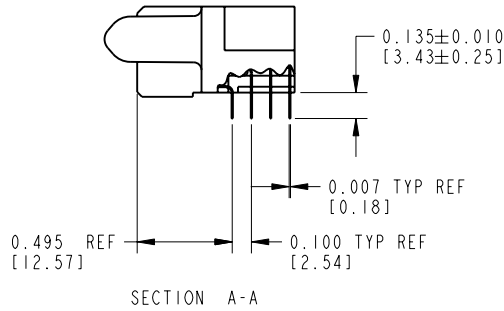
Printed: Aug 11, 2007

Tous droits strictement réservés. Reproduction ou communication o des liens interdite sous quelque forme que ce soit sans autorisation écrite du propriétaire. Propriété de c FCI. Droits de reproduction FCI.

All rights strictly reserved. Reproduction or issue to third parties in any form, whatever is not permitted without written authority from the proprietor. Property of FCI. Copyright FCI.

**A**  
**FCI**

PRODUCT NUMBER  
SEE SHEET 2



PRODUCT No.	ROWS	POWER			SIGNAL				POWER				E1	
		E2	P6	P5	6	5	4	3	2	1	P4	P3		P2
51787-001... NOTE: 3	D C B A		PC	PC	HHHHHH	GGGGGG	FFFFFF	EEEEEE		X	PC	PA	PC	

PRODUCT No.	ROWS	POWER			SIGNAL				POWER				E1		
		E2	P6	P5	6	5	4	3	2	1	P4	P3		P2	P1
51787-002... NOTE: 3	D C B A		PC	PC	HHHHHH	GGGGGG	FFFFFF	EEEEEE			PC	PA	PC	PC	

PRODUCT No.	ROWS	POWER			SIGNAL				POWER				E1		
		E2	P6	P5	6	5	4	3	2	1	P4	P3		P2	P1
51787-003... NOTE: 3	D C B A		PC	PA	HHHHHH	GGGGGG	FFFFFF	EEEEEE			PC	PA	PC	PC	

mat'l code				NOTE 1		tolerances unless otherwise specified		CUSTOMER		<b>A</b> <b>FCI</b> www.fciconnect.com	
ltr	ecn no.	dr	date	linear	.XX±.01/0.XX±0.3	projection	COPY		title 3ACP + 1P + 24S + 2P R/A SOLDER RECEPTACLE		
E				angles	.XXX±.005/0.XX±0.13		INCH/MM		product family PwrBlade code 213		
				dr	.XXX±.0005/0.XXX±.051	scale	1:1		size dwg no A 51787 sheet 2		
				engr	0°±2°						
				chr	E. KORFF 06-15-00						
				appd	J. BROWN 06-15-00						
sheet index	revision sheet										

Pro/E

cage code 22526

PDM: Rev:E

STATUS: Released

Printed: Aug 11, 2007

Tous droits strictement reserves. Reproduction ou communication o des liers interdite sous quelque forme que ce soit sans autorisation ecrite du proprietaire. Propriete de c FCI. Droits de reproduction FCI.

All rights strictly reserved. Reproduction or issue to third parties in any form, whenever is not permitted without written authority from the proprietor. Property of FCI. Copyright FCI.



PRODUCT NUMBER  
SEE SHEET 2

CONNECTOR NOTES:

1. HOUSING MATERIAL: UL 94 V-0 GLASS FILLED HIGH TEMP THERMOPLASTIC  
SIGNAL PIN MATERIAL: COPPER ALLOY  
POWER CONTACT MATERIAL: COPPER ALLOY

3. PLATING:  
51787-YYY Singal Pin:30u"/0.76um Au OVER 50u"/1.27um Ni ON THE CONTACT AREA.  
AND 100u"/2.54um SnPb PLATING OVER 50u"/1.27um Ni ON THE TERMINATION SECTION.  
Power Pin:30u"/0.76um Au OVER 50u"/1.27um Ni ON THE CONTACT AREA,  
AND 100u"/2.54um SnPb PLATING OVER 50u"/1.27um Ni ON THE TERMINATION SECTION.

51787-YYLFF Singal Pin:30u"/0.76um Au OVER 50u"/1.27um Ni ON THE CONTACT AREA.  
AND 78u"/2.00um Sn PLATING OVER 50u"/1.27um Ni ON THE TERMINATION SECTION.  
Power Pin:30u"/0.76um Au OVER 50u"/1.27um Ni ON THE CONTACT AREA,  
AND 78u"/2.00um Sn PLATING OVER 50u"/1.27um Ni ON THE TERMINATION SECTION.

PART NUMBER 51787-YYLFF MEETS EUROPEAN UNION DIRECTIVE AND OTHER COUNTRY REGULATIONS AS DESCRIBED IN GS-22-008.

THE HOUSING WILL WITHSTAND EXPOSURE TO 260° PEAK TEMPERATURE FOR 10 SECONDS IN A WAVE SOLDER APPLICATION WITH A CIRCUIT BOARD.

3. "MANUFACTURER'S" NAME, P/N AND DATE CODE TO APPEAR ON THIS SURFACE

4. PRODUCT SPECIFICATION GS-12-149

PCB NOTES:

5. ALL DIMENSIONS ARE BASIC UNLESS OTHERWISE SPECIFIED.
6. ALL THROUGH HOLES ARE LOCATED WITH A TRUE POSITION OF 0.004 [0.10]
7. ALL HOLE DIAMETERS ARE FINISHED HOLE SIZE
8. Ø0.098 [2.49] THROUGH HOLES ARE UNPLATED
9. Ø0.0453±0.0010 [1.151±0.025] DRILLED HOLES PLATED WITH 0.0003 [0.008] MIN SnPb OVER 0.001 [0.03] TO 0.003 [0.08] Cu PLATING TO ACHIEVE A Ø0.040±0.003 [1.02±0.07] HOLE]

mat'l code		NOTE 1		tolerances unless otherwise specified		CUSTOMER		www.fciconnect.com	
lfr	ecn no.	dr	date	linear	.XX±.01/0.X±0.3	COPY			
E				projection	.XXX±.005/0.XX±0.13			title 3ACP + 1P + 24S + 2P R/A SOLDER RECEPTACLE	
				angles	.XXX±.0005/0.XXX±.051			product family PwrBlade code 213	
				dr	0°±2°	INCH/MM		size dwg no	
				engr	E. KORFF 06-15-00	scale 1:1		A 51787 sheet 3	
				chr	J. BROWN 06-15-00				
				appd	J. BROWN 06-15-00				
sheet index	revision sheet								

1 | 2

Pro/E

3 |

cage code 22526

4